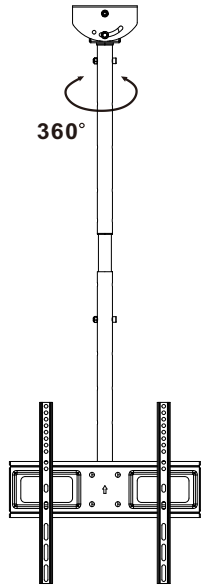
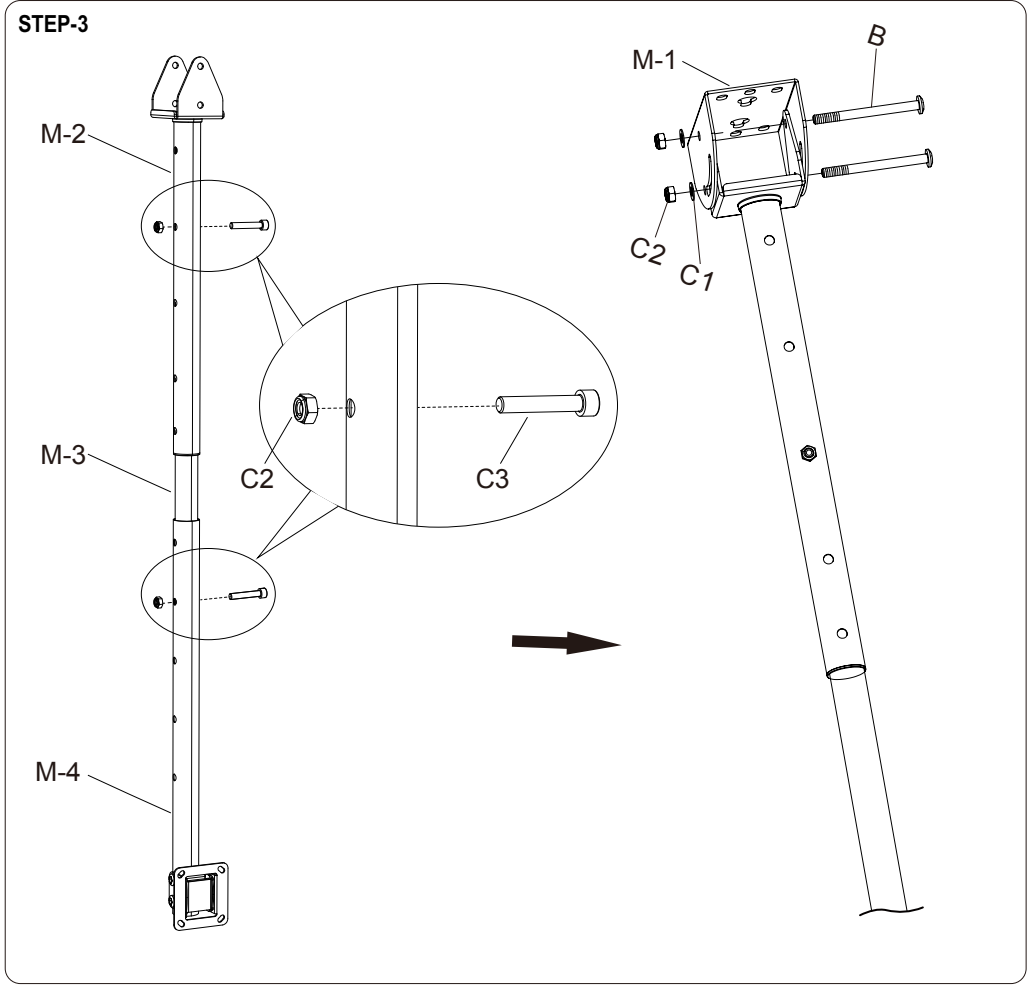
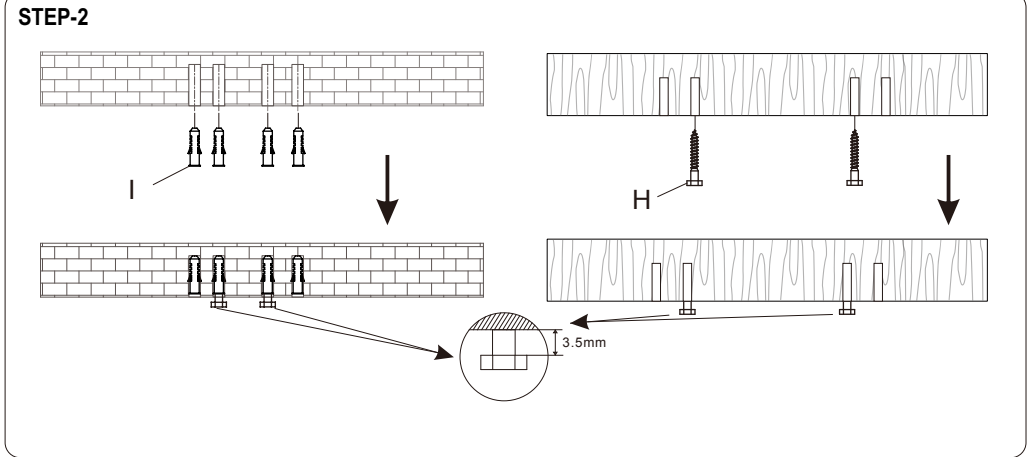
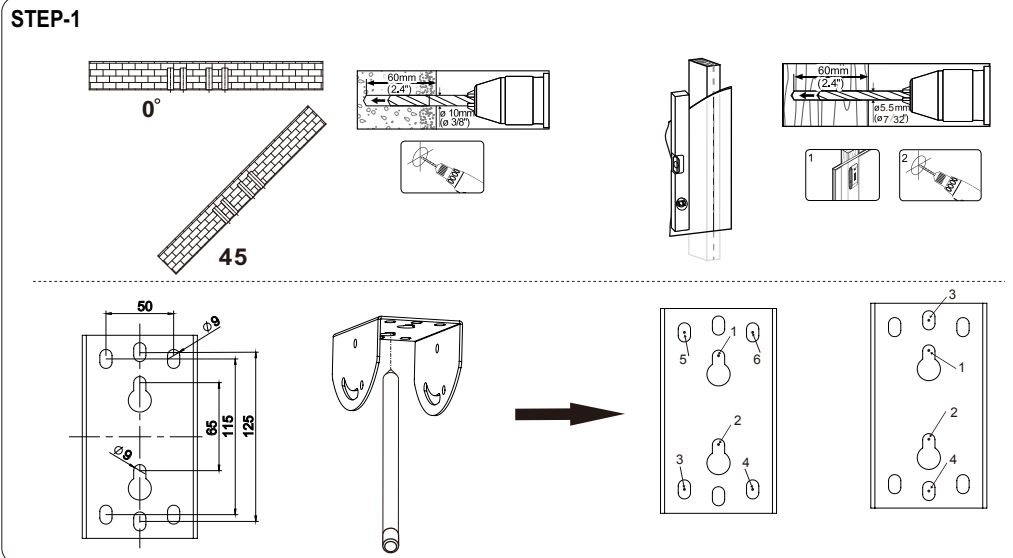
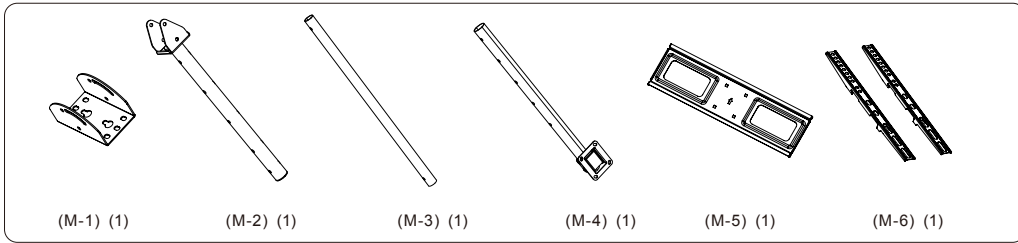


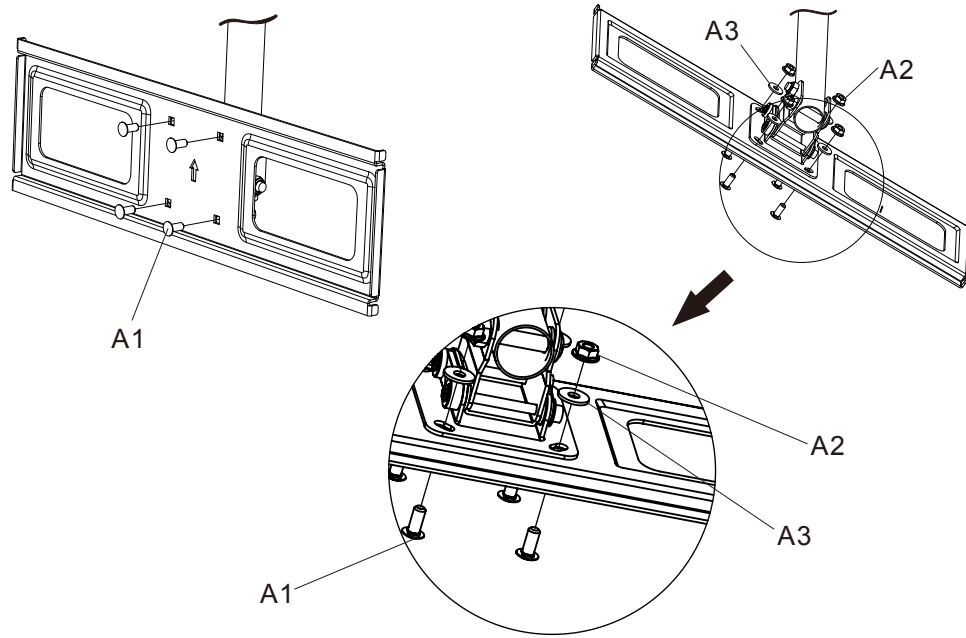
CM2002 INSTALLATION INSTRUCTION



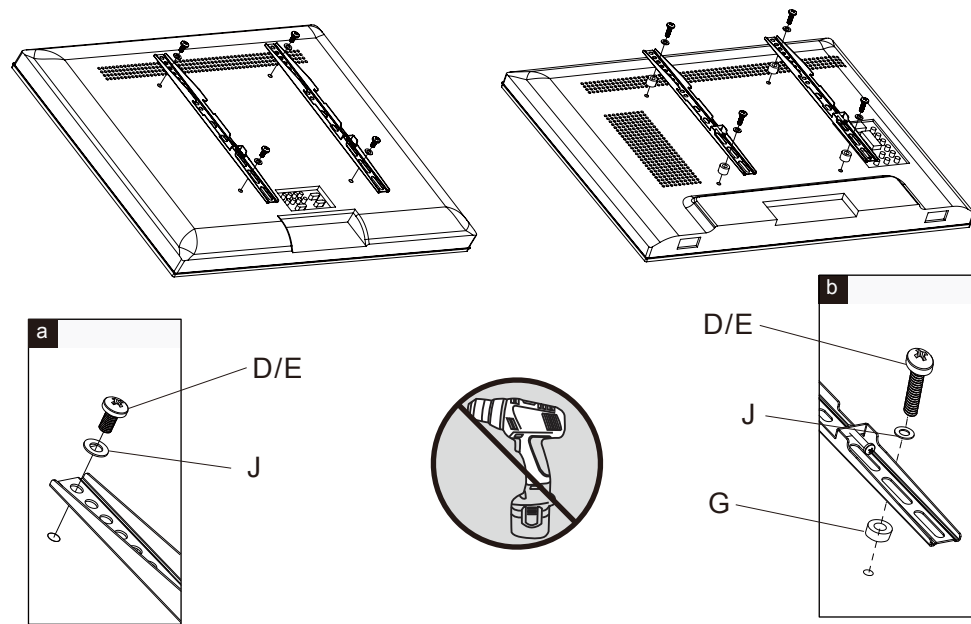
Package A			
(A1) M6x12 (4)	(A2) M6 (4)	(A3) M6x15 (4)	(B) M8x95(2)
(C1) M8x16 (2)	(C2) M8 (4)	(C3) M8x45 (2)	
Package B			
(D) M6x14 (4)	(E) M8x20 (4)	(F) M4(1) M5(1) 10x13(1)	(G) 5mm (4)
(H) M8x60 (6)	(I) 10x50 (6)	(J1) M8x16 (8)	(J2) M6x16 (4)



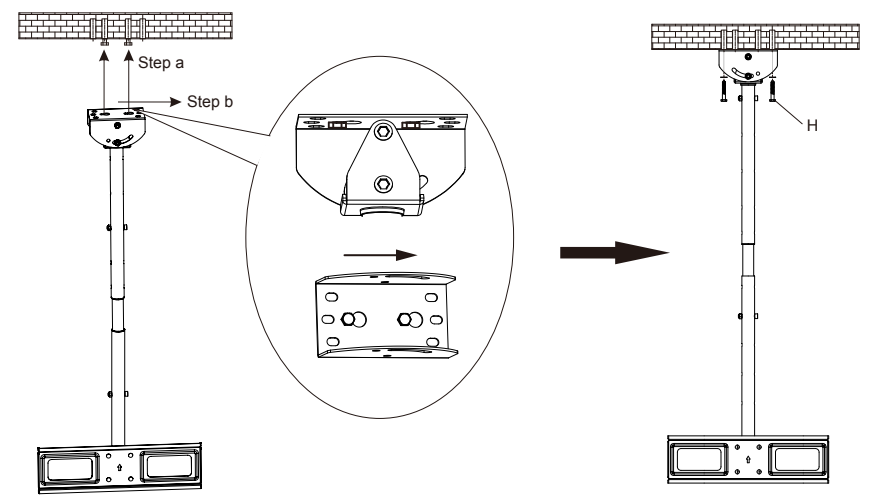
STEP-4



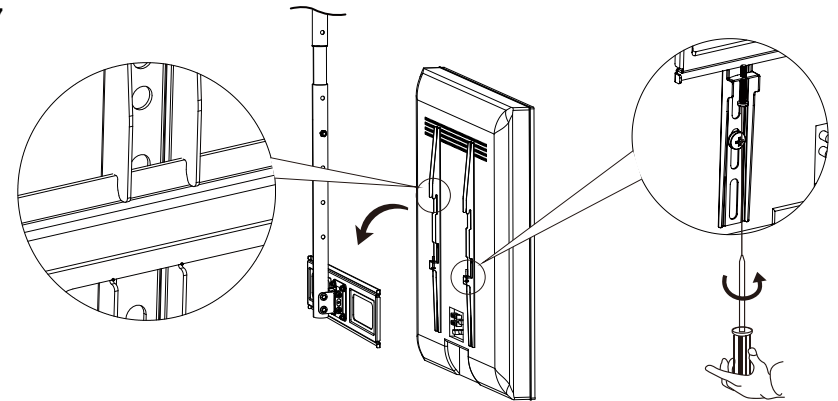
STEP-5



STEP-6



STEP-7



STEP-8

